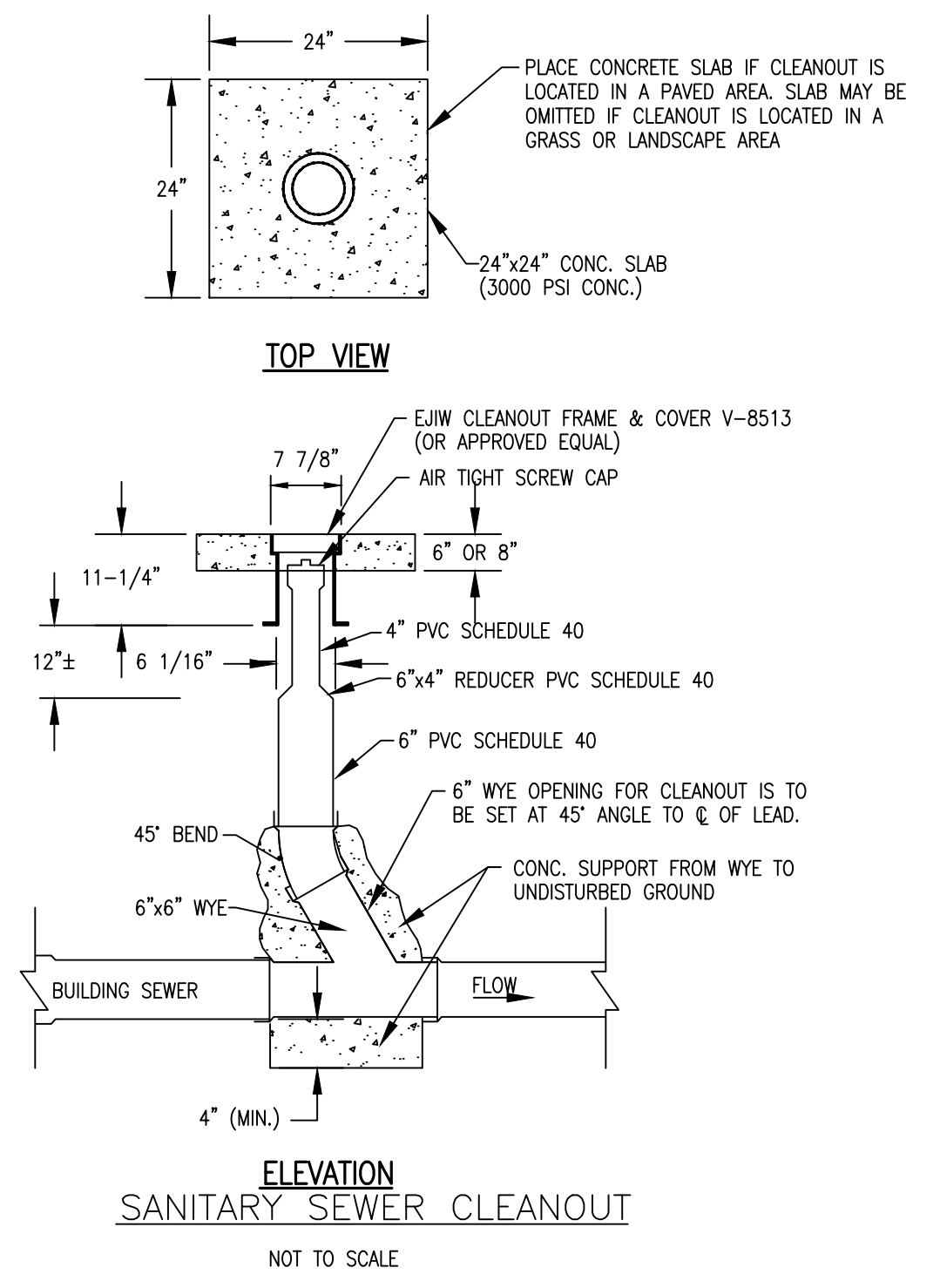
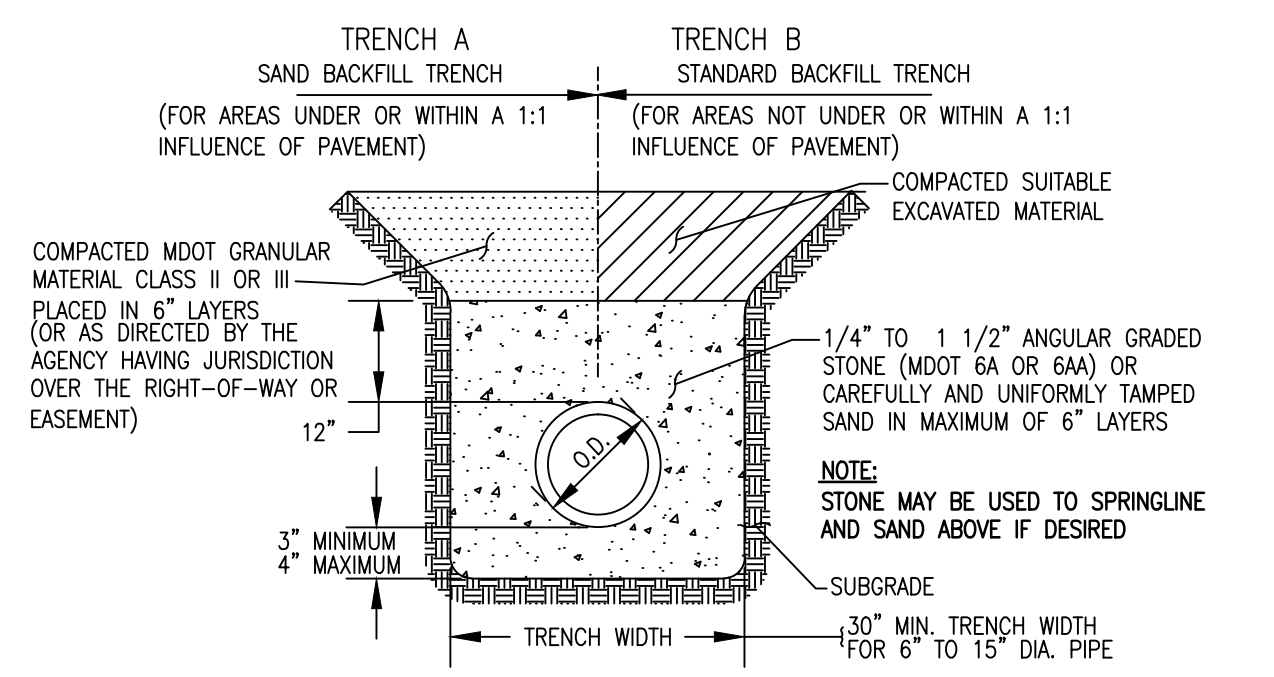


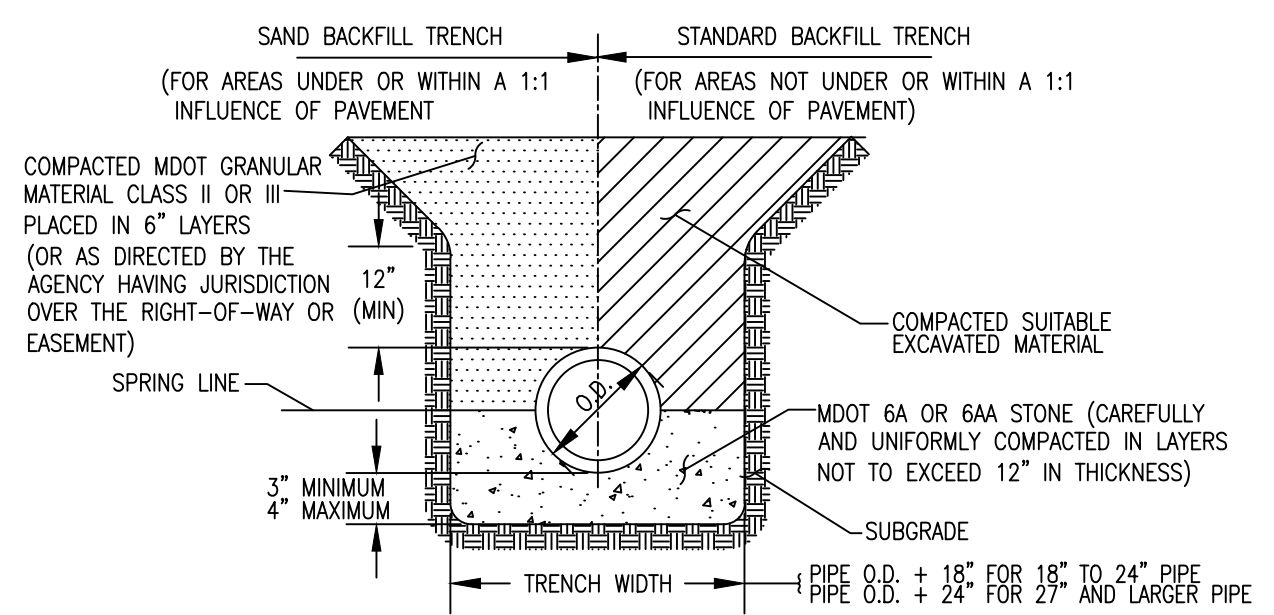
WASTEWATER PUMP STATION
NOT TO SCALE



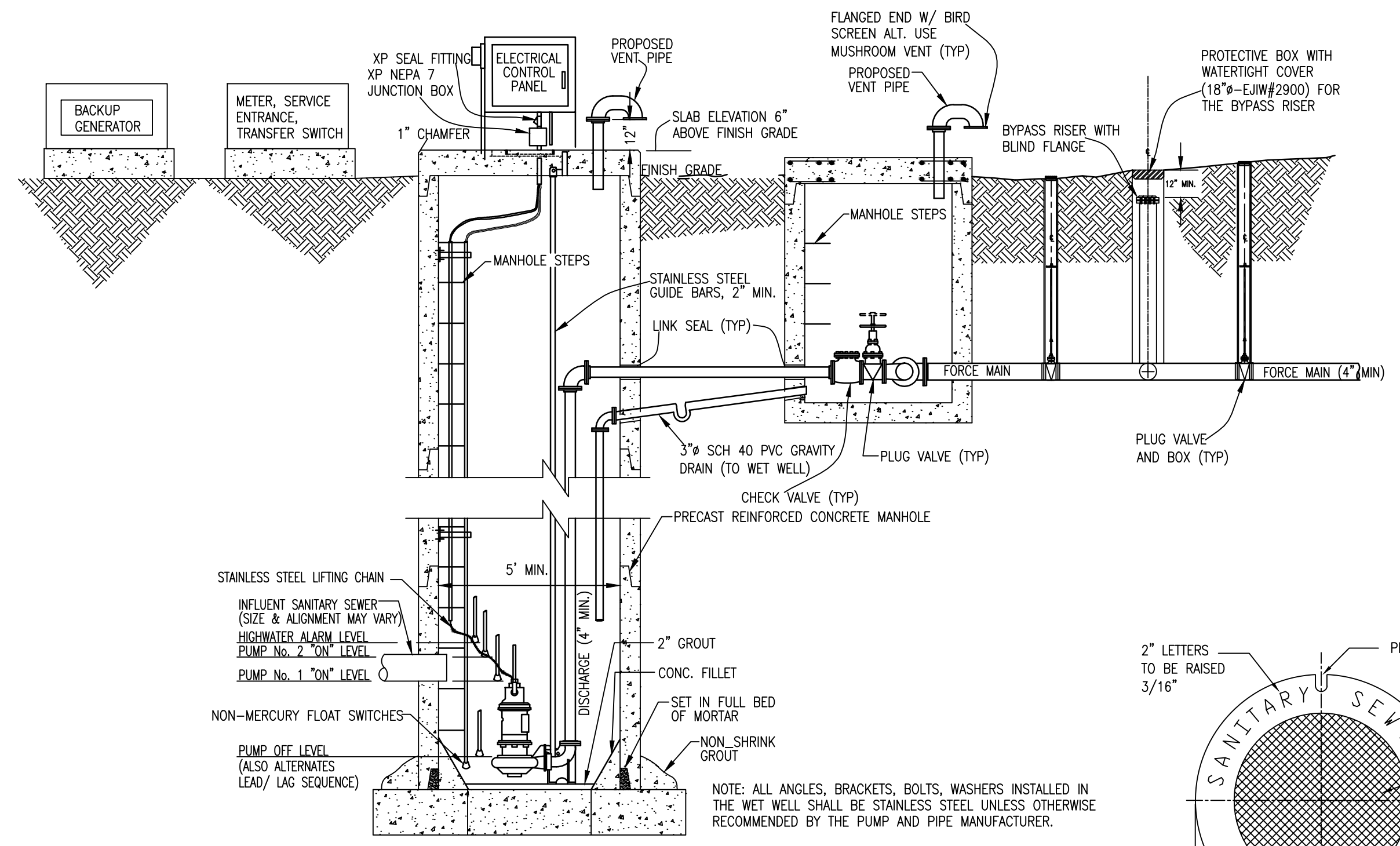
ELEVATION
SANITARY SEWER CLEANOUT
NOT TO SCALE



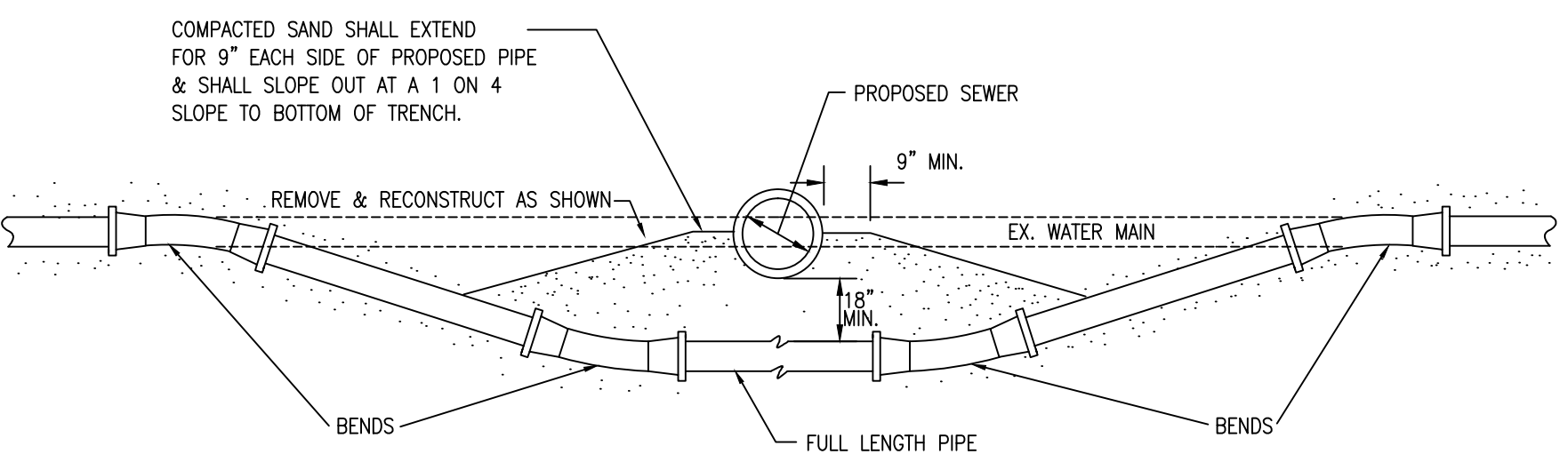
FLEXIBLE PIPE (8" TO 15" DIA SOLID WALL PVC PIPE)
STANDARD BEDDING AND TRENCH BACKFILL DETAIL



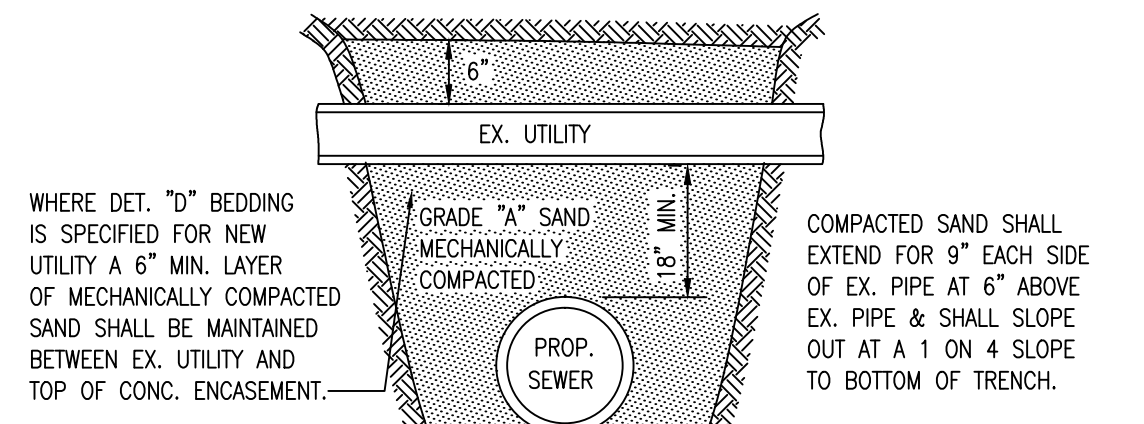
RIGID PIPE (18" DIAMETER AND LARGER CONCRETE)
STANDARD BEDDING AND TRENCH BACKFILL DETAIL



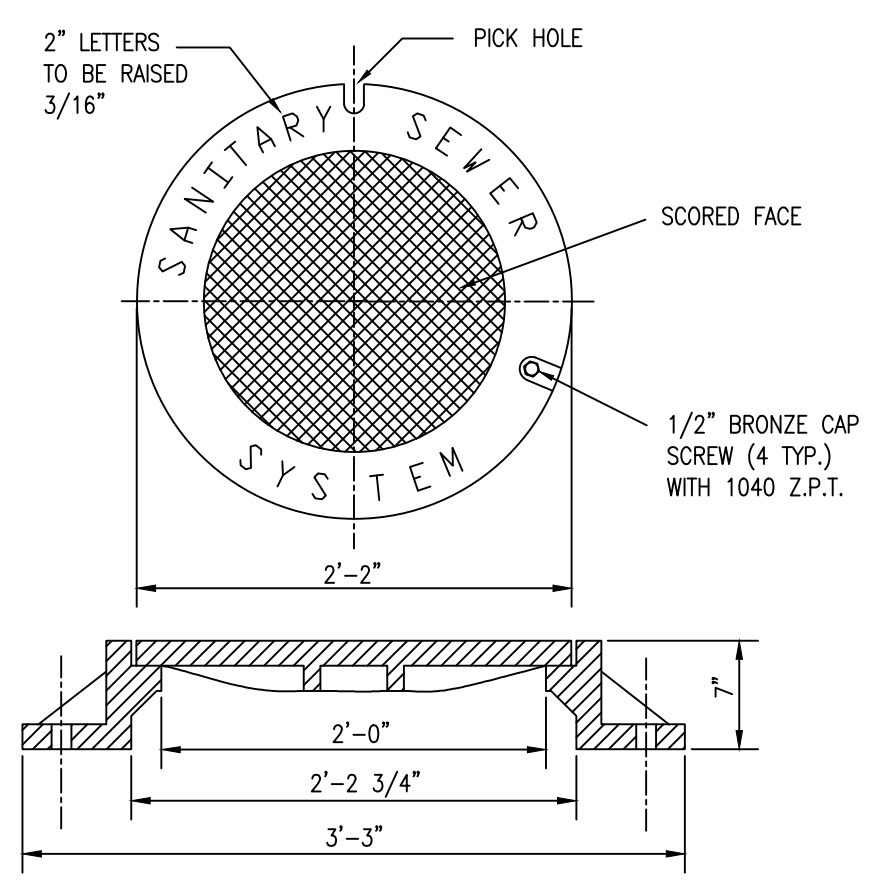
PROFILE VIEW
WASTEWATER PUMP STATION
NOT TO SCALE



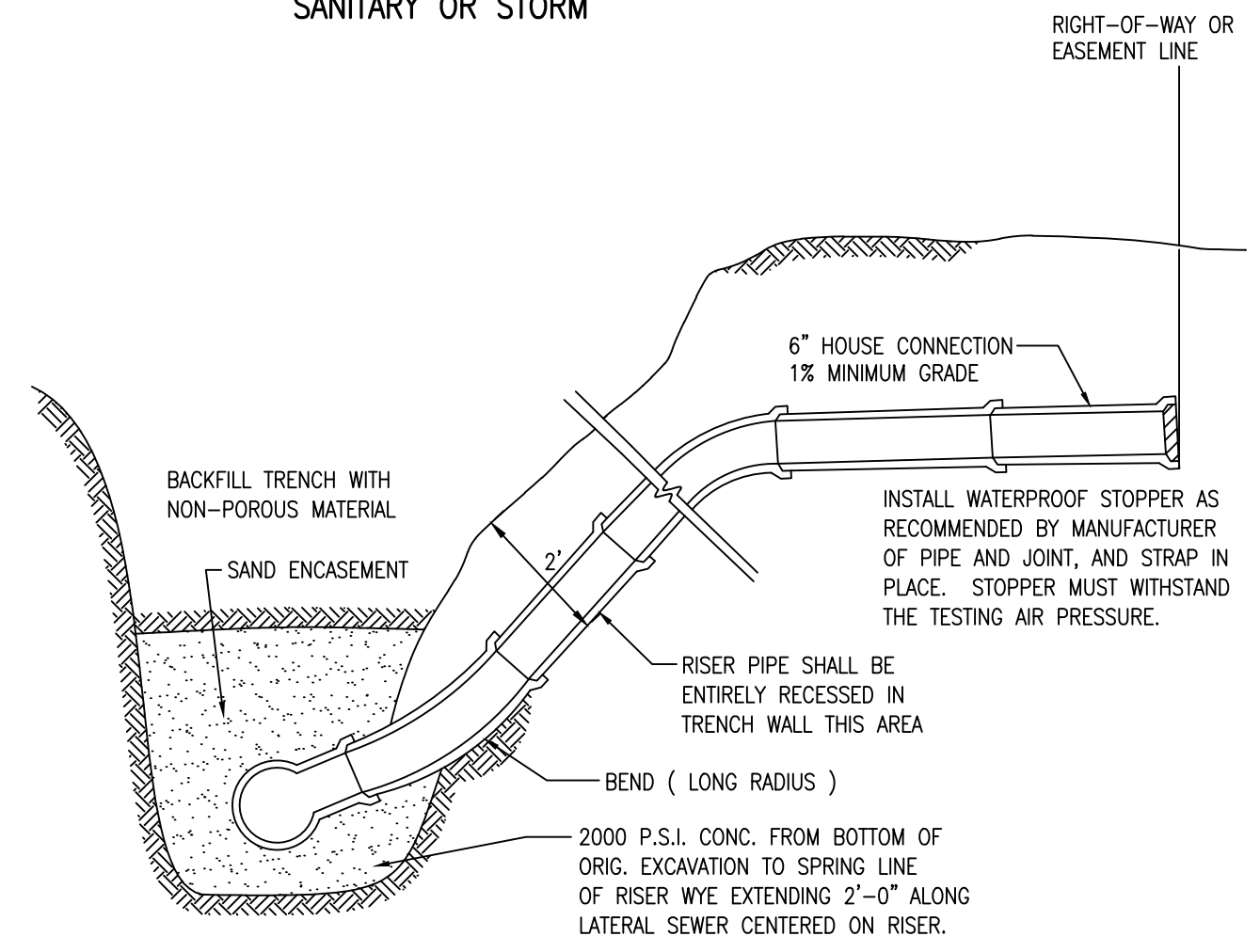
RELOCATION OF WATER MAIN
SANITARY OR STORM



STANDARD PIPE SUPPORT
SANITARY OR STORM



STANDARD FRAME & COVER
E.J.L.W. #1040 OR
1040 Z.P.T. AS REQ'D.



BUILDING SEWER
NOT TO SCALE



ALL DRAWINGS AND WRITTEN MATERIALS APPEARING HEREIN CONSTITUTE THE ORIGINAL AND UNPUBLISHED WORK OF YCALA AND THE SAME MAY NOT BE REPRODUCED, COPIED, DISTRIBUTED, OR DISCLOSED WITHOUT PRIOR WRITTEN CONSENT OF YCALA.

STANDARD SANITARY
SEWER DETAILS

YPSILANTI COMMUNITY UTILITIES AUTHORITY
2777 STATE ROAD
YPSILANTI, MICHIGAN 48198-9112
(734) 484-4600
FAX: (734) 544-7221
WWW.YCALA.ORG

DATE: 2/6/2009
SCALE: NO SCALE
SHEET: []