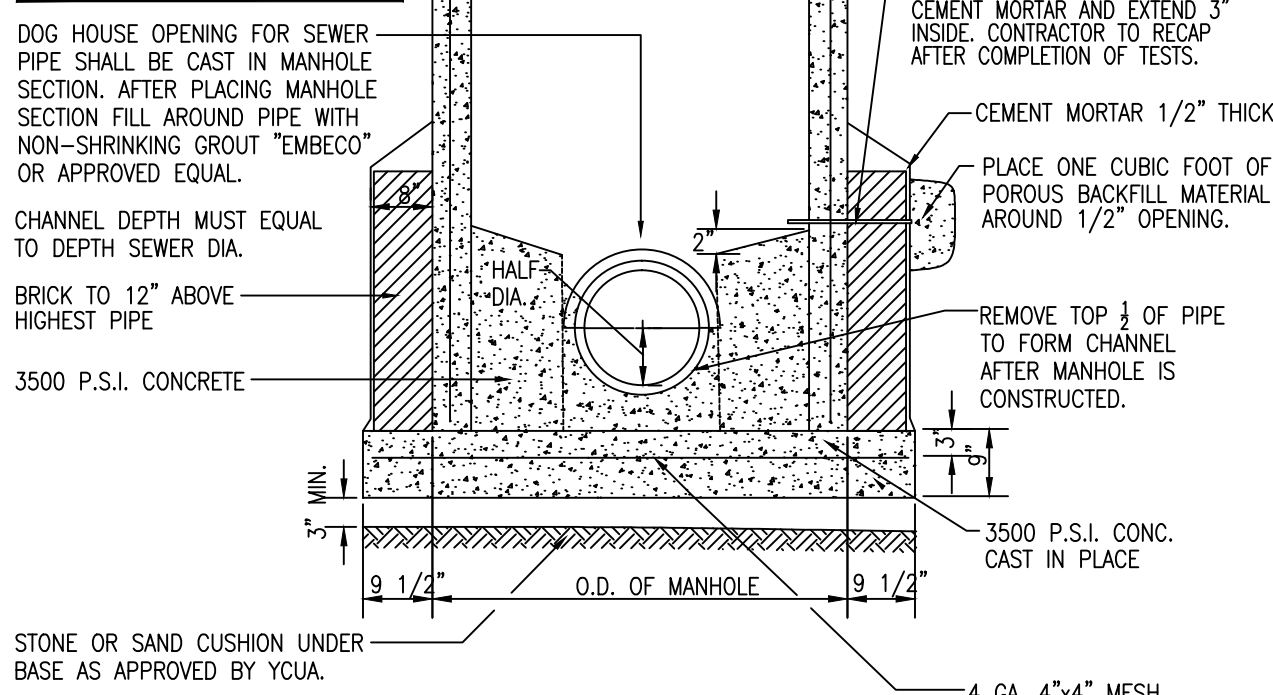


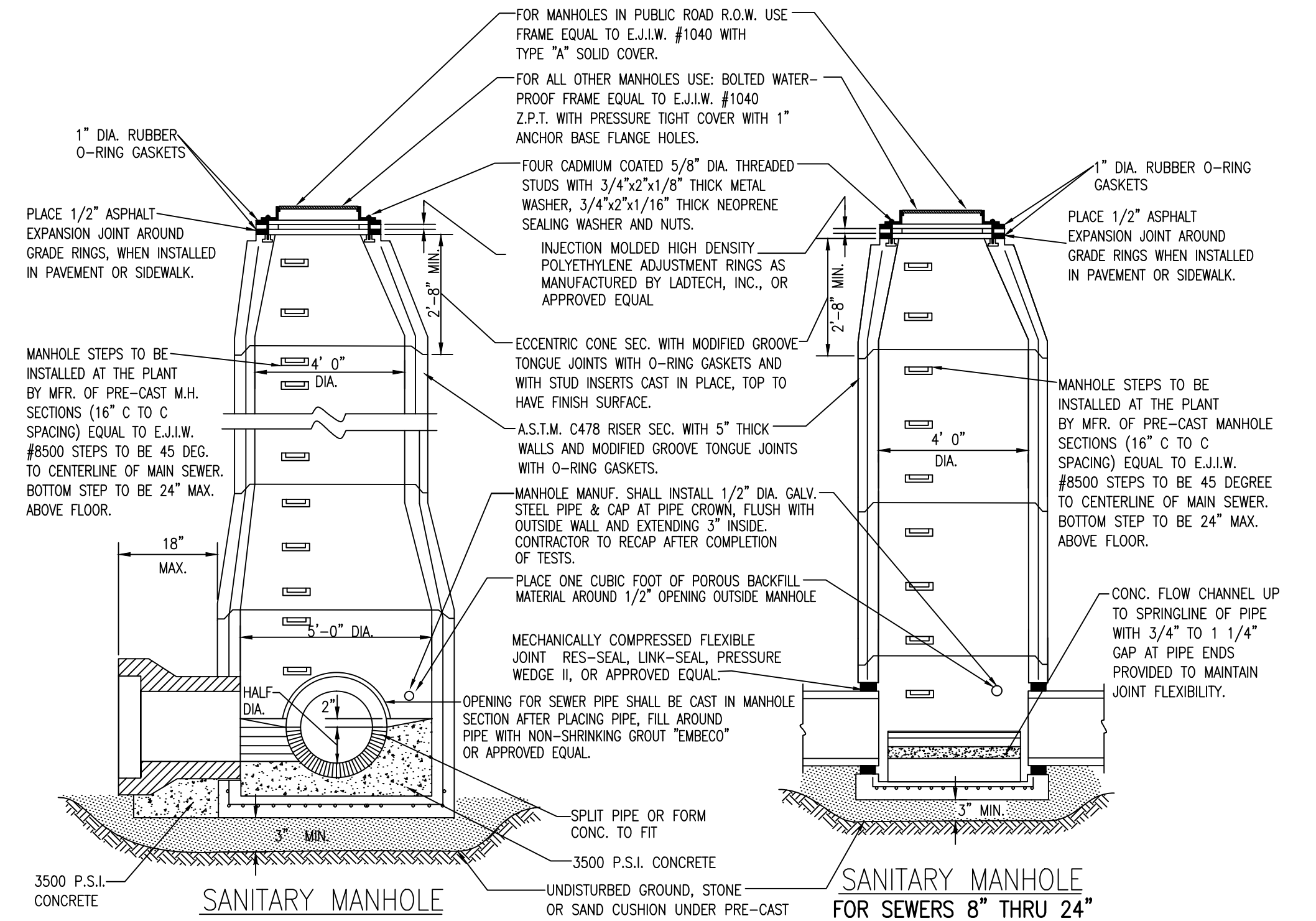
SEWER SIZE	MAX. CUT OUT SIZE
8" THRU 10"	17 1/2"
12" THRU 15"	20"

PIPE BEDDING DETAILS

SEWER SIZE	MAX. CUT OUT SIZE
8" THRU 10"	17 1/2"
12" THRU 15"	20"

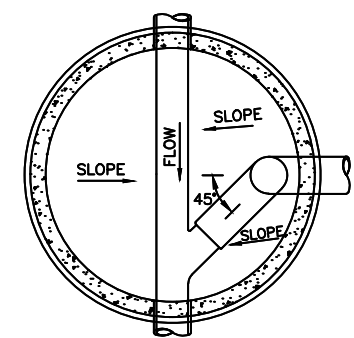


SANITARY MANHOLE ON EXISTING SEWERS 8" THRU 42" NOT TO SCALE

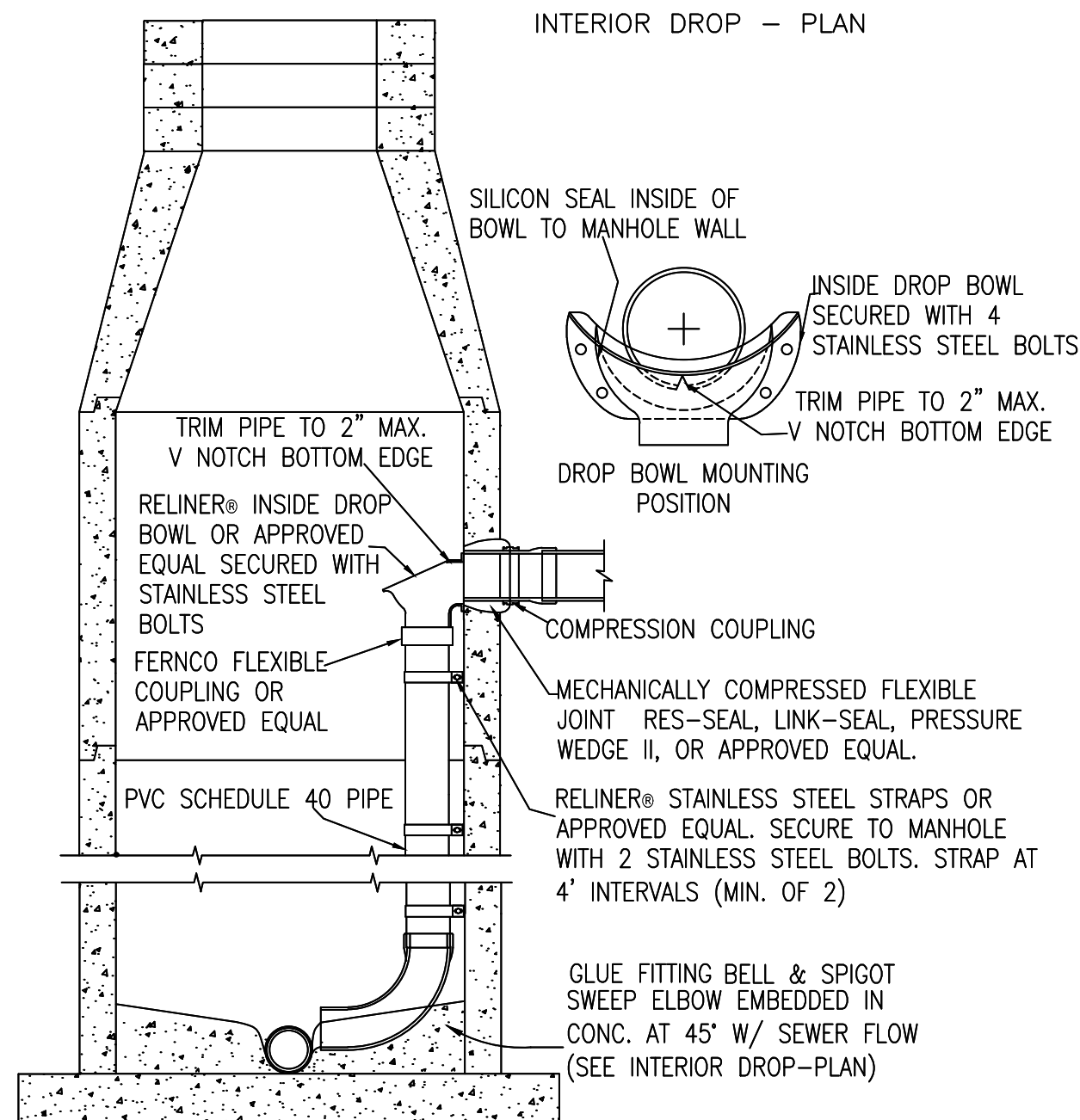


SANITARY MANHOLE FOR SEWERS 27" THRU 42" NOT TO SCALE

SANITARY MANHOLE FOR SEWERS 8" THRU 24" NOT TO SCALE

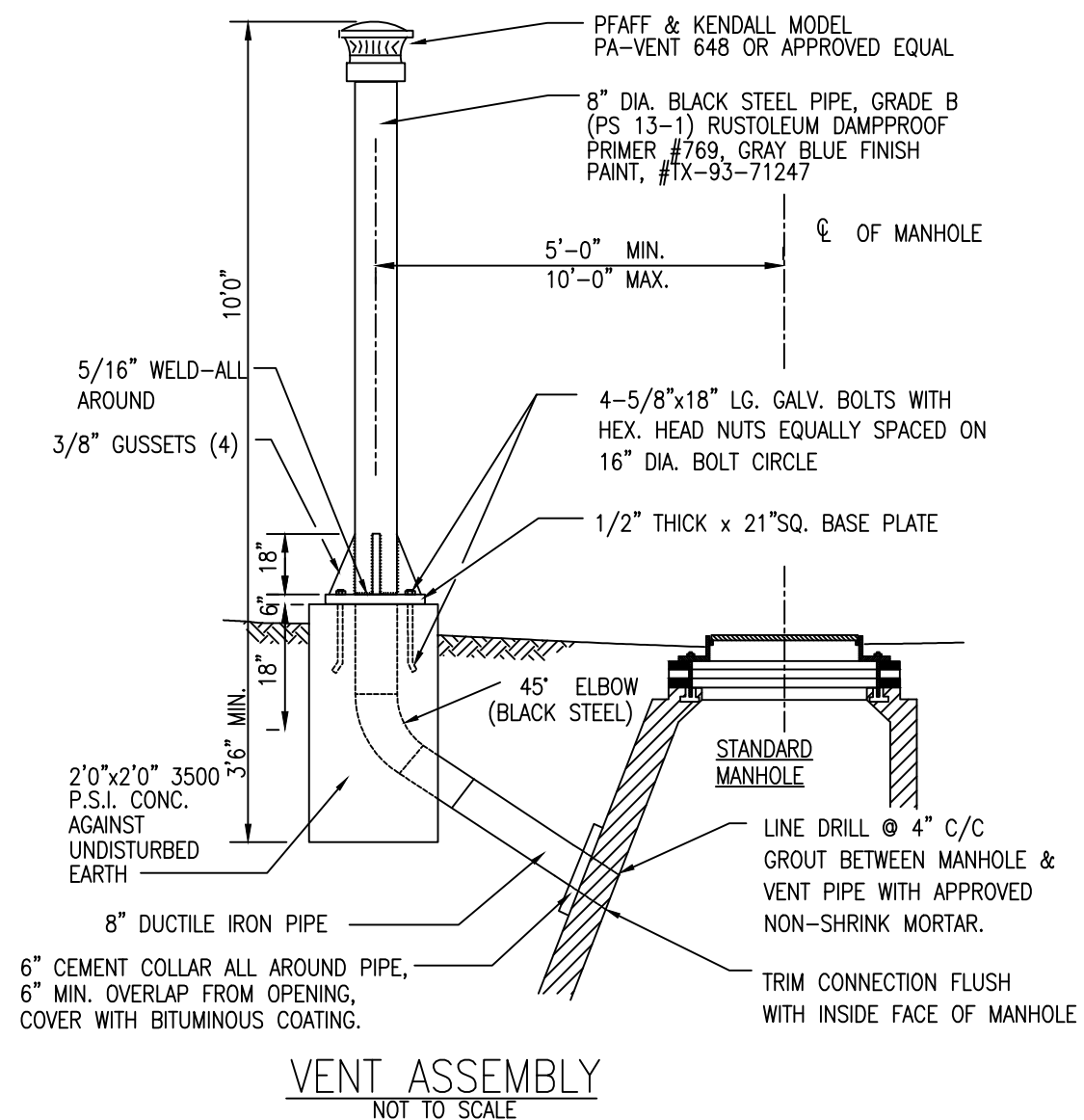


INTERIOR DROP - PLAN

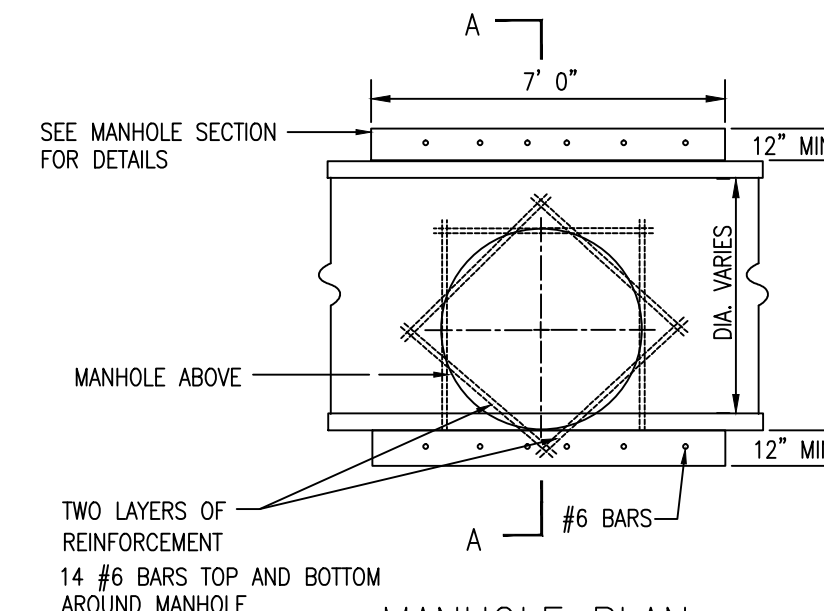


INTERIOR DROP CONNECTION NOT TO SCALE

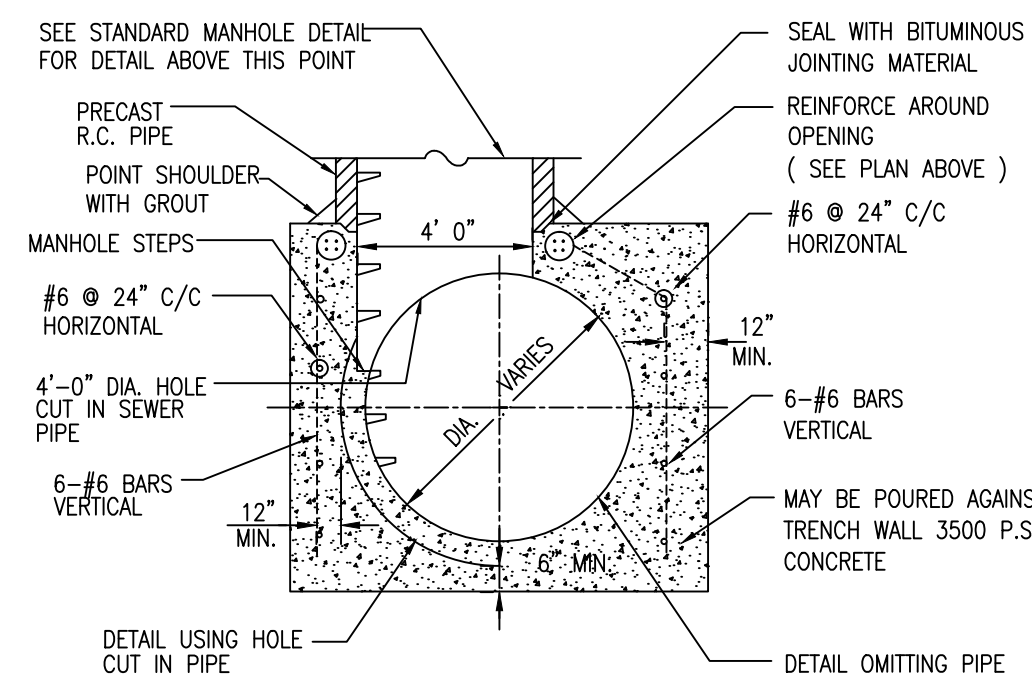
DIA. OF SEWER	DIA. OF DROP CONNECTION
4"	4"
6"	6"
8"	8"
10"	10"



VENT ASSEMBLY NOT TO SCALE



MANHOLE PLAN 48" & LARGER SEWERS



MANHOLE SECTION 48" & LARGER SEWERS NOT TO SCALE

SANITARY SEWER NOTES

1. ALL MANHOLE RIMS SHALL BE SET TO GRADE AS FURNISHED BY THE ENGINEER.
2. RISERS ON SANITARY SEWERS SHALL BE INSTALLED WHERE SEWER IS OVER 8' DEEP TO A DEPTH OF 8'.
3. PLACE ONE 6" WYE FOR EACH LOT ON SANITARY SEWERS UNLESS OTHERWISE SPECIFIED.
4. ALL MANHOLES SHALL USE ECCENTRIC CONES PLACED TOWARD THE PROPERTY LINE UNLESS OTHERWISE NOTED.
5. INFILTRATION FOR ANY SECTION OF SEWERS BETWEEN MANHOLES SHALL NOT EXCEED 200 GALLONS PER INCH DIAMETER PER MILE OF SEWER PER 24 HRS.
6. NO FOOTING DRAINS SHALL BE CONNECTED TO THE BUILDING SEWER.
7. DIFFERENTIAL OF EXCAVATION AROUND EXISTING MANHOLES SHALL NOT EXCEED 6 FEET.
8. NO CONNECTION RECEIVING STORM WATER, SURFACE WATER, OF GROUND WATER SHALL BE MADE TO SANITARY SEWERS.
9. ALL SEWERS SHALL BE SUBJECT TO AIR INFILTRATION OR EXFILTRATION TESTS, OR A COMBINATION OF SAME, PRIOR TO ACCEPTANCE. ALL SEWERS OVER 24" DIAMETER SHALL BE SUBJECTED TO INFILTRATION TESTS. ALL SEWERS OF 24" DIAMETER OR SMALLER, WHERE THE GROUND WATER LEVEL ABOVE THE TOP OF THE SEWER IS OVER 7 FEET, SHALL BE SUBJECTED TO INFILTRATION TESTS. ALL SEWERS OF 24" DIAMETER OR LESS, WHERE THE GROUND WATER LEVEL ABOVE THE TOP OF THE SEWER IS 7 FEET OR LESS, SHALL BE SUBJECTED TO AIR TESTS OR EXFILTRATION TESTS.
10. ALL SEWER SYSTEM CONSTRUCTION SHALL CONFORM TO THE CURRENT STANDARDS AND GENERAL SPECIFICATIONS OF YPSILANTI TOWNSHIP, YCUA AND ANY OTHER AGENCY HAVING JURISDICTION OF THE CONSTRUCTION AREA.
11. ALL SEWERS SHALL BE TELEVIEWED, WITH TEST RESULTS APPROVED BY THE COUNTY AGENCY PRIOR TO PLACING THE SEWER IN SERVICE.
12. ALL STUBS SHALL HAVE A WATER AND AIR TIGHT BULKHEAD.
13. NO SEWER SHALL BE CONSTRUCTED LESS THAN 10" IN DIAMETER WITHOUT SPECIFIC WRITTEN APPROVAL OF YCUA.

REVISIONS



STANDARD SANITARY SEWER DETAILS

YPSILANTI COMMUNITY UTILITIES AUTHORITY  
 2777 STATE ROAD  
 YPSILANTI, MICHIGAN 48198-9112  
 (734) 484-4600  
 FAX: (734) 544-7221  
 WWW.YCUA.ORG

DATE: 2/6/2009 SCALE: NO SCALE SHEET:  

ALL DRAWINGS AND WRITTEN MATERIALS APPEARING HEREIN CONSTITUTE THE ORIGINAL AND UNPUBLISHED WORK OF YCUA AND THE SAME MAY NOT BE REPRODUCED, COPIED, DISTRIBUTED, OR DISCLOSED WITHOUT PRIOR WRITTEN CONSENT OF YCUA.